

BACKLIGHT-UPLIGHT-GLARE (BUG) RATING / FULL CUTOFF

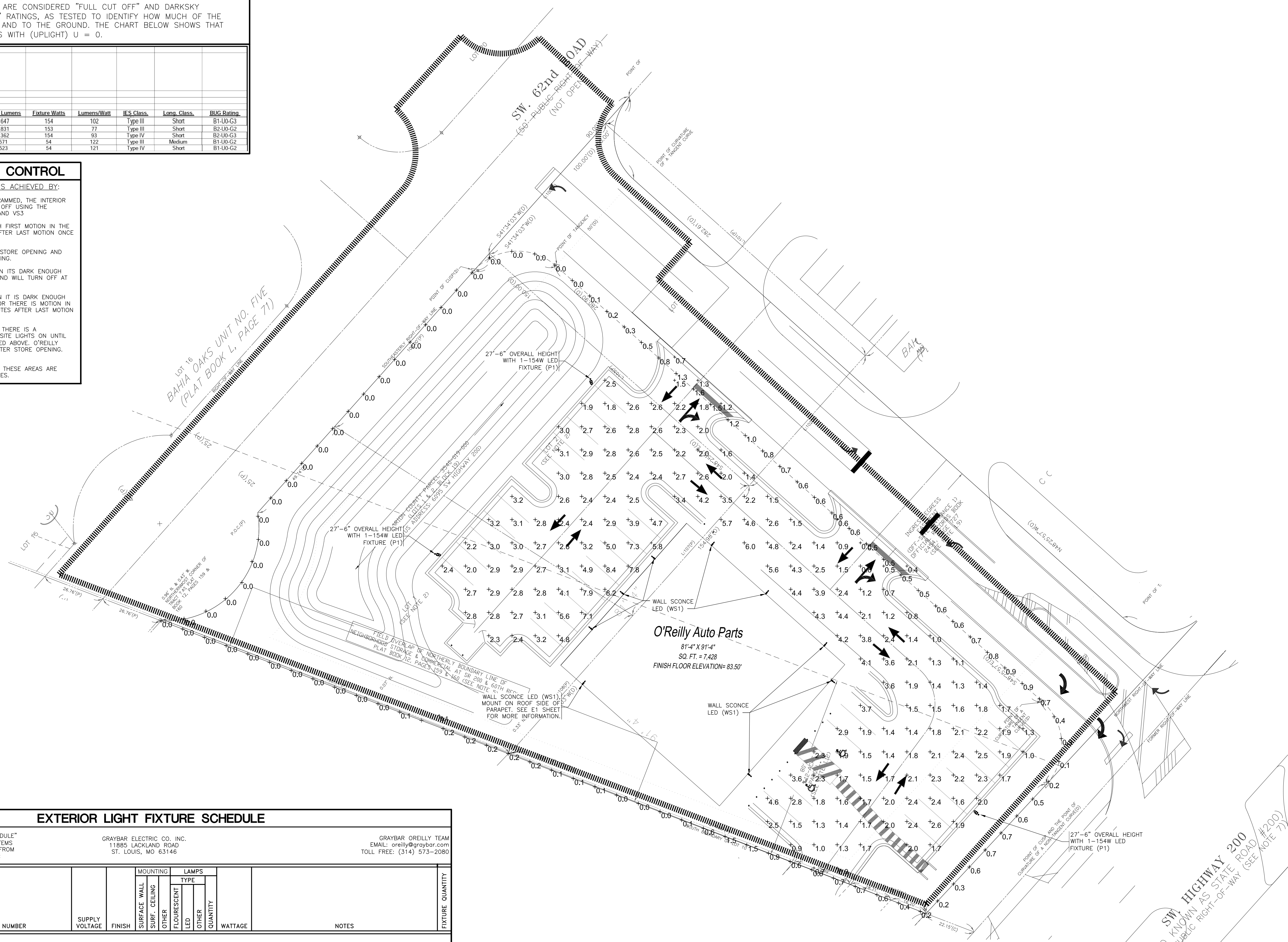
SEE CUT-SHEET BELOW OF EXTERIOR LIGHT FIXTURES. ALL OF THE LSI XALM & XWM LED FIXTURES HAVE ZERO UPLIGHT AND ARE CONSIDERED "FULL CUT OFF" AND DARKSKY COMPLIANT". BELOW ARE THE "BUG" RATINGS, AS TESTED TO IDENTIFY HOW MUCH OF THE LIGHT GOES BACKWARDS, UPWARDS AND TO THE GROUND. THE CHART BELOW SHOWS THAT THESE FIXTURES HAVE BUG RATINGS WITH (UPLIGHT) U = 0.

LSI	LSI Outdoor LED Fixture BUG Summary	9/26/2017				
Catalog Number	Fixture Lumens	Fixture Watts	Lumens/Watt	IES Class	Long. Class	BUG Rating
XALM-3-LED-SS-50-IL	15,647	154	102	Type III	Short	B1-U0-G3
XALM-5W-LED-SS-50-IL	11,831	153	77	Type III	Short	B2-U0-G2
XALM-FT-LED-SS-50-IL	14,362	154	93	Type IV	Short	B2-U0-G3
XWM-3-LED-50-50	6,571	54	122	Type III	Medium	B1-U0-G2
XWM-FT-LED-06-50	6,523	54	121	Type IV	Short	B1-U0-G2

AUTOMATIC LIGHTING CONTROL

COMPLIANCE WITH ENERGY CODE IS ACHIEVED BY:

- ONCE THE VENSTAR EMS HAS BEEN PROGRAMMED, THE INTERIOR AND EXTERIOR LIGHTS WILL TURN ON AND OFF USING THE FOLLOWING LOGIC: SEE SHEETS VS1, VS2 AND VS3
 INTERIOR WORK LIGHTS WILL TURN ON WITH FIRST MOTION IN THE STORE AND WILL TURN OFF 15 MINUTES AFTER LAST MOTION ONCE THE STORE IS CLOSED.
 INTERIOR SALES LIGHTS WILL TURN ON AT STORE OPENING AND TURN OFF 15 MINUTES AFTER STORE CLOSING.
 EXTERIOR SIGN LIGHTS WILL TURN ON WHEN ITS DARK ENOUGH OUTSIDE ANYTIME DURING STORE HOURS, AND WILL TURN OFF AT STORE CLOSING.
 EXTERIOR SITE LIGHTS WILL TURN ON WHEN IT IS DARK ENOUGH OUTSIDE AND IT IS WITHIN STORE HOURS OR THERE IS MOTION IN THE STORE. THEY WILL TURN OFF 30 MINUTES AFTER LAST MOTION ONCE THE STORE IS CLOSED.
 FOR NEW CONSTRUCTION LOCATIONS ONLY, THERE IS A TEMPORARY PROGRAM TO KEEP SIGN AND SITE LIGHTS ON UNTIL MIDNIGHT RATHER THAN THE TIMES INDICATED ABOVE. O'REILLY WILL DISABLE THIS PROGRAM ONE YEAR AFTER STORE OPENING.
- RESTROOMS AND OFFICES: ALL LIGHTING IN THESE AREAS ARE CONTROLLED BY OCCUPANT-SENSING DEVICES.



EXTERIOR LIGHT FIXTURE SCHEDULE

ALL ITEMS LISTED ON THE "LIGHT FIXTURE SCHEDULE" WILL BE SUPPLIED BY THE OWNER (O'REILLY). ITEMS SHALL BE DIRECT ORDERED AND/OR RELEASED FROM THE LISTED ELECTRICAL EQUIPMENT DISTRIBUTOR.

GRAYBAR ELECTRIC CO., INC.
11885 LACKLAND ROAD
ST. LOUIS, MO 63146

GRAYBAR O'REILLY TEAM
EMAIL: oreilly@graybar.com
TOLL FREE: (314) 573-2080

MARK	MFR.	CATALOG NUMBER	SUPPLY VOLTAGE	FINISH	MOUNTING		LAMPS		WATTAGE	NOTES	FIXTURE QUANTITY
					SURFACE WALL	SURF. CEILING	FLUORESCENT	LED			
LED EXTERIOR LIGHTS											
WS1	LSI	XWM-FT-LED-06L-50-UE-BRZ	120	DARK BRONZE	X		X		59	FULL CUT-OFF, BUG RATING B1-U0-G1. ARCHITECTURAL ELEVATIONS SHOW DIMENSIONED LOCATIONS.	9
LED POLE LIGHTS											
P1	LSI	XALM-FT-LED-SS-50-UE-BRZ-IL	120	DARK BRONZE			X	X	154	25' POLE LENGTH, ADVANCE BALLASTS, FULL CUT-OFF, NO SUBSTITUTIONS. ANCHOR BOLTS W/HARDWARE & TEMPLATE. WITH INTERNAL LOUVER HOUSE SIDE SHIELD, BUG RATING B2-U0-G3	3

FIXTURE QUANTITY TO BE VERIFIED WITH SITE PLAN QUANTITY

SITE LIGHTING PHOTOMETRICS

SCALE: 1"=20'



NORMAN E. GOTH
LICENCE No. 57809
STATE OF FLORIDA
PROFESSIONAL ENGINEER
6/15/18

ENGINEER OF RECORD
NORMAN E. GOTH
FIRM LICENSE NUMBER: 27905
ENGINEER LICENSE NUMBER: 57809
SHEETS BEARING THIS SEAL ARE AUTHENTICATED. RESPONSIBILITY FOR ALL OTHER PLANS, SPECIFICATIONS OR INSTRUMENTS ARE DISCLAIMED.

SGE
SMITH-GOTH ENGINEERS, INC.
3855 S. JEFFERSON AVE.
SPRINGFIELD, FL 32093
PH: 417-882-2100
WWW.SMGOTH.COM

PROJECT:
NEW O'REILLY AUTO PARTS STORE
6179 SW HWY 200
OCALA, FL 34476

SITE LIGHTING PHOTOMETRICS

O'Reilly AUTO PARTS

CORPORATE OFFICES
233 SOUTH PATTERSON
SPRINGFIELD, MISSOURI 65802
(417) 862-2674 TELEPHONE

DRAWN BY: **JJW** CHECKED BY: **BLC/ALT**

DATE: **06/15/2018**

REVISION:

PROJECT NUMBER:
18078-OF4

SHEET NUMBER
SP1

© COPYRIGHT 2018 - DESIGNS, DRAWINGS AND SPECIFICATIONS ARE INSTRUMENTS OF SERVICE AND ARE THE PROPERTY OF THE DESIGN PROFESSIONAL. REPRODUCTION PROHIBITED WITHOUT THE EXPRESSED WRITTEN CONSENT OF THE DESIGN PROFESSIONAL.

STEEL SQUARE POLES

Use ONLY with "Wind Speed Map for ASCE7-10"

POLE	110 MPH	115 MPH	120 MPH	130 MPH	140 MPH	150 MPH	160 MPH	170 MPH	180 MPH	Bolt Circle
4"11GA14	12.5	11.3	10.2	8.5	6.8	5.8	4.9	4.1	3.6	8
4"11GA16	9.8	8.6	7.9	6.5	5.4	4.4	3.5	2.9	2.2	8
4"11GA18	8.1	7.4	6.7	5.4	4.2	3.4	2.8	2.2	1.7	8
4"11GA20	7.1	6.3	5.6	4.4	3.4	2.7	2.1	1.6	1.1	8
4"11GA22	6.9	6.8	7.9	6.3	5.1	4.0	3.1	2.5	2.0	8
4"11GA24	8.6	7.5	6.8	5.3	4.2	3.3	2.5	1.9	1.3	8
4"11GA26	6.8	6.1	5.5	4.2	3.2	2.3	1.6	1.0	0.6	8
4"7GA20	10.7	9.7	8.7	7.0	5.7	4.6	3.8	3.1	2.5	8
4"7GA22	11.3	10.2	9.1	7.3	5.8	4.7	3.5	2.7	2.1	8
4"7GA24	9.8	8.9	7.8	6.0	4.5	3.5	2.8	2.1	1.6	8
4"7GA26	7.9	7.1	6.1	4.7	3.6	2.8	1.9	1.2	0.7	8
5"11GA16	18.1	16.4	14.8	12.3	10.3	8.7	7.3	6.3	5.3	C
5"11GA18	15.7	14.2	12.8	10.5	8.7	7.3	6.1	5.1	4.3	C
5"11GA20	13.5	12.3	11.1	9.0	7.4	6.0	4.8	3.8	3.1	C
5"11GA22	15.8	14.3	12.6	10.2	8.3	6.5	5.4	4.2	3.5	C
5"11GA24	13.8	12.5	10.8	8.6	6.7	5.2	3.9	3.0	2.1	C
5"11GA26	11.3	10.3	8.9	6.9	5.3	4.0	3.0	2.2	1.5	C
5"7GA20	20.7	18.8	17.0	14.0	11.7	9.8	7.9	7.0	5.9	D
5"7GA22	25.8	23.3	21.0	17.5	14.6	12.3	10.4	8.8	7.5	D
5"7GA24	23.3	21.0	19.0	15.6	12.9	10.7	9.0	7.5	6.3	D
5"7GA26	20.0	18.0	16.2	13.2	10.7	8.9	7.3	6.0	4.8	D
6"7GA30	16.4	14.6	13.0	10.3	7.9	6.5	5.2	4.0	3.1	D
6"7GA24	35.0	30.8	28.5	23.7	19.6	16.7	14.0	11.8	10.2	J
6"7GA26	29.2	26.2	23.7	19.3	15.9	13.2	11.0	8.9	7.5	J
6"7GA30	23.6	21.2	19.0	15.2	12.3	9.9	8.0	6.4	5.0	J
6"7GA35	17.6	15.2	13.6	10.7	8.2	6.2	4.6	3.2	2.1	J
6"7GA39	13.9	11.9	10.4	7.7	5.5	3.8	2.4	1.2	0.2	J

All LSI Industries' poles are guaranteed to meet the EPA requirements listed. LSI Industries is not responsible if a pole order has a lower EPA rating than the indicated wind-loading zone where the pole will be located. **CAUTION:** This guarantee does not apply if the pole/bracket/fixture combination is used to support any other items such as flags, pennants, or signs, which would add stress to the pole. LSI Industries cannot accept responsibility for harm or damage caused in these situations.

Project Name _____ Fixture Type _____ 11/27/17
 Catalog # _____ LSI INDUSTRIES INC. © 2017

STEEL SQUARE POLES

POLE ORDERING INFORMATION

TYPICAL ORDER EXAMPLE: **5SQB5 S07G 24 S PLP SF DGP**

Pole Series	Material	Height ²	Mounting Configuration	Pole Finish	Options
Bolt-on Arm Mount - See pole selection guide for patterns and fixture matches. 4SQB3 - 3" Reduced drilling pattern 5SQB3 - 3" Reduced drilling pattern 4SQB5 - 5" Traditional drilling pattern 5SQB5 - 5" Traditional drilling pattern	S11G - 11 Ga. Steel S07G - 07 Ga. Steel	14' 16' 18' 20' 22' 24' 26' 28' 30' 32'	S - Single Parallel D1P1* - Double D9P* - Double D9P** - Double T1N1P* - Triple C0P* - Quad G9P** - Quad N - Tension Mount (Standard tension size is 2-3/8" O.D.)	BRZ - Bronze BLK - Black PLP - Platinum Plus WHI - White SVC - Safety Verde Green CPT - Crapelite MSV - Metallic Silver	GA - Galvanized Anchor Bolts SF - Single Foot ³ DF - Double Foot ³ DGP - Duragrip [®] Plus LAB - Use Anchor Bolts DSOX - Pole preparation for PMOS Occupancy Sensor ⁴
Tension Mount - See pole selection guide for tension and fixture/bracket matches. 4SQN 5SQN					Standard SF and DF pole preparations are located 3/4 of the height of the pole from the base, unless otherwise specified.
No Mounting Holes - Use with: • BKA XISF & BKA XISF • BKA XAISF & BKA XAISF					
Internal Slip-Fitter 4SDI 5SDI					

Description	Order Number	Order Number
4SQ - 4" Square Base Cover	12293CLR	Vibration Damper - 4" Square Pole (bolt-on mount only)
5SQ - 5" Square Base Cover	12293CLR	Vibration Damper - 5" Square Pole (bolt-on mount only)
6SQ - 6" Square Base Cover	12293CLR	Vibration Damper - 6" Square Pole (bolt-on mount only)
6SQ - Weatherproof Duplex Receptacle	12296CLR	PMOS120 - 120V Occupancy Sensor
6SQ - Ground Fault Circuit Interrupter	12296CLR	PMOS208-240 - 208, 240V Occupancy Sensor
MHP - Mounting Hole Weatherproof Decal for use with 5" traditional drill pattern	346129	PMOS277-277V Occupancy Sensor
MHD - Mounting Hole Weatherproof Decal for use with 3" reduced drill pattern	346129	PMOS489 - 489V Occupancy Sensor

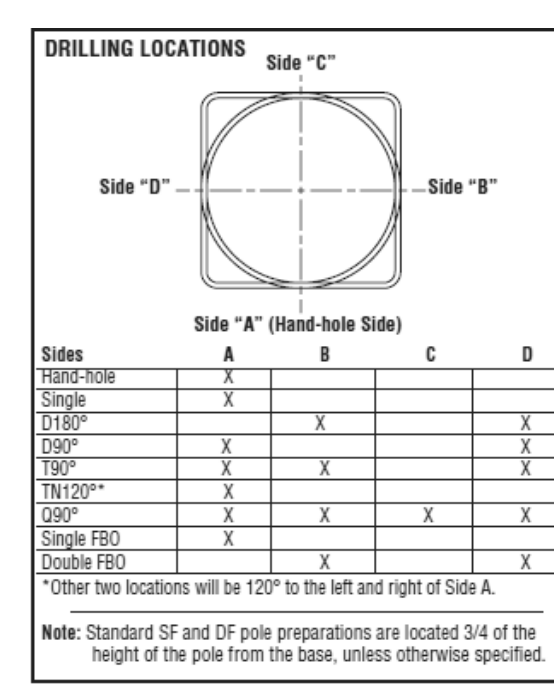
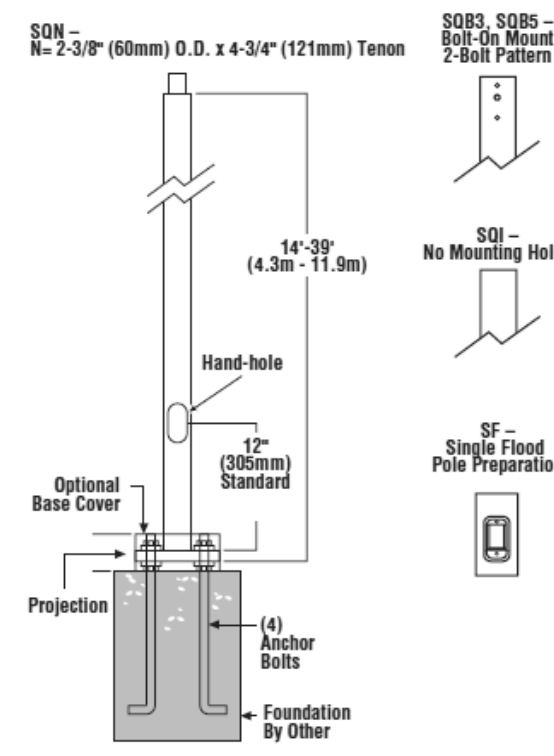
FOOTNOTES:
 1 - See Area Lighting Brackets 3" Reduced Drill Pattern and Area Lighting Brackets - Bolt-on 5" Traditional Drill Pattern spec sheets for Internal Slip-Fitter brackets.
 2 - Pole heights will have +/- 1/2" tolerance.
 3 - See Flood Lighting Brackets section for choice of FBO brackets.
 4 - Order PMOS separately. Change "XX" to indicate height and side of pole location for pole preparation. CS (S) GA indicates preparation to be SF on top pole base on side A. Optimal distance from ground to sensor is 20ft.
 5 - SDGX option required. Not for use with Metal Inside Fixtures

BOLT CIRCLE	4" (102mm) square 16-1/8" (257mm) sq.	5" (127mm) square 18-1/8" (257mm) sq.	6" (152mm) square 18-1/8" (257mm) sq.	6" (152mm) square 12" (305mm) sq.
	11" (279mm) Dia. Bolt Circle	11" (279mm) Dia. Bolt Circle	11" (279mm) Dia. Bolt Circle	12" (305mm) Dia. Bolt Circle
	8" x 11" (203mm x 279mm)	8" x 11" (203mm x 279mm)	8" x 11" (203mm x 279mm)	8" x 11" (203mm x 279mm)
	3/4" x 3/8" (19mm x 9.5mm)	3/4" x 3/8" (19mm x 9.5mm)	3/4" x 3/8" (19mm x 9.5mm)	1" x 3/8" (25mm x 9.5mm)
	3-1/4" (83mm)	3-1/4" (83mm)	3-1/4" (83mm)	4" (102mm)
	3-5/8" (92mm)	4-3/4" (120mm)	4-3/8" (111mm)	5-5/8" (143mm)
	10-1/8" sq. x 3/4" thk. (257mm x 19mm)	10-1/8" sq. x 3/4" thk. (257mm x 19mm)	10-1/8" sq. x 3/4" thk. (257mm x 19mm)	12" sq. x 1-1/8" thk. (305mm x 29mm)

Project Name _____ Fixture Type _____ 11/27/17
 Catalog # _____ LSI INDUSTRIES INC. © 2017

STEEL SQUARE POLES

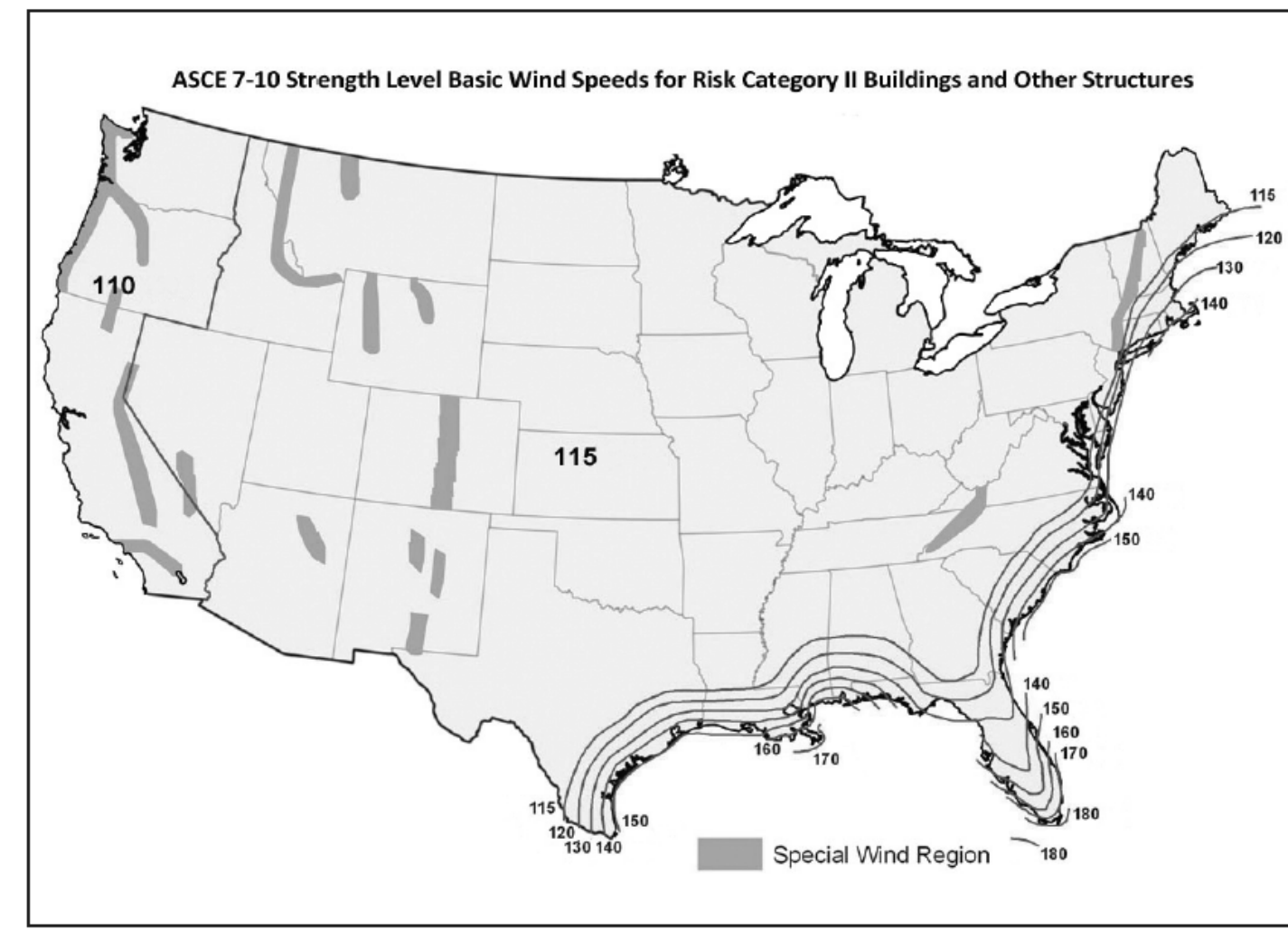
DIMENSIONS



Shipping Weights - Steel Square Poles	Weight
4" (102mm) sq. 11 Ga. is approximately	7.50 lbs./ft.
4" (102mm) sq. 10 Ga. is approximately	8.00 lbs./ft.
5" (127mm) sq. 11 Ga. is approximately	9.00 lbs./ft.
5" (127mm) sq. 10 Ga. is approximately	12.50 lbs./ft.
6" (152mm) sq. 11 Ga. is approximately	15.40 lbs./ft.
6" (152mm) sq. 10 Ga. is approximately	18.30 lbs./ft.
Anchor Bolts (1" x 3/8" (25mm x 9.5mm))	15 lbs. (Pack of 4)
Anchor Bolts (1" x 3/8" (25mm x 9.5mm))	30 lbs. (Pack of 8)

ARRA Funding Compliant
 Project Name _____ Fixture Type _____ 11/27/17
 Catalog # _____ LSI INDUSTRIES INC. © 2017

WINDSPEED MAP FOR ASCE7-10

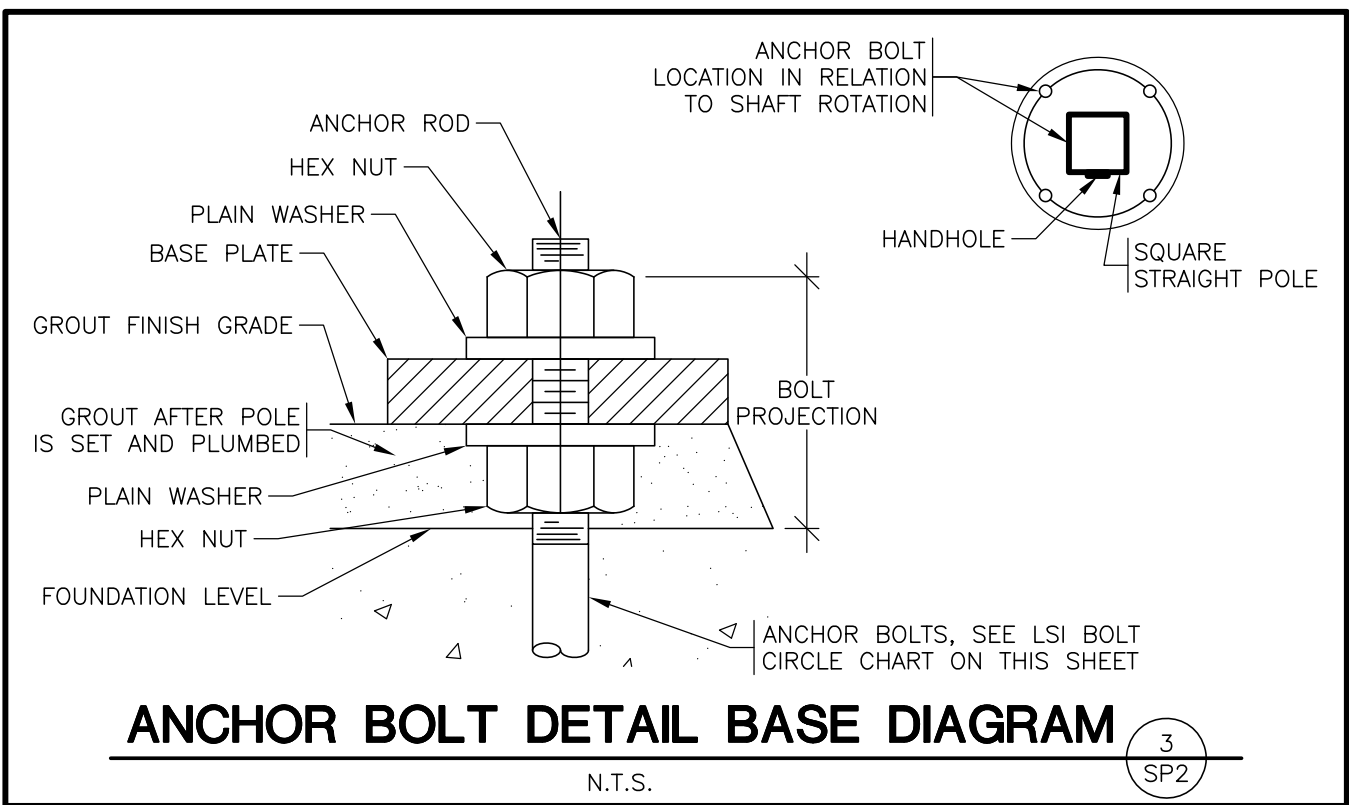


Wind Speed Map and Pole EPAs are based on ANSI/ASCE 7-10. Please inform LSI if your local code requirements differ; LSI can supply calculations to your code requirements.

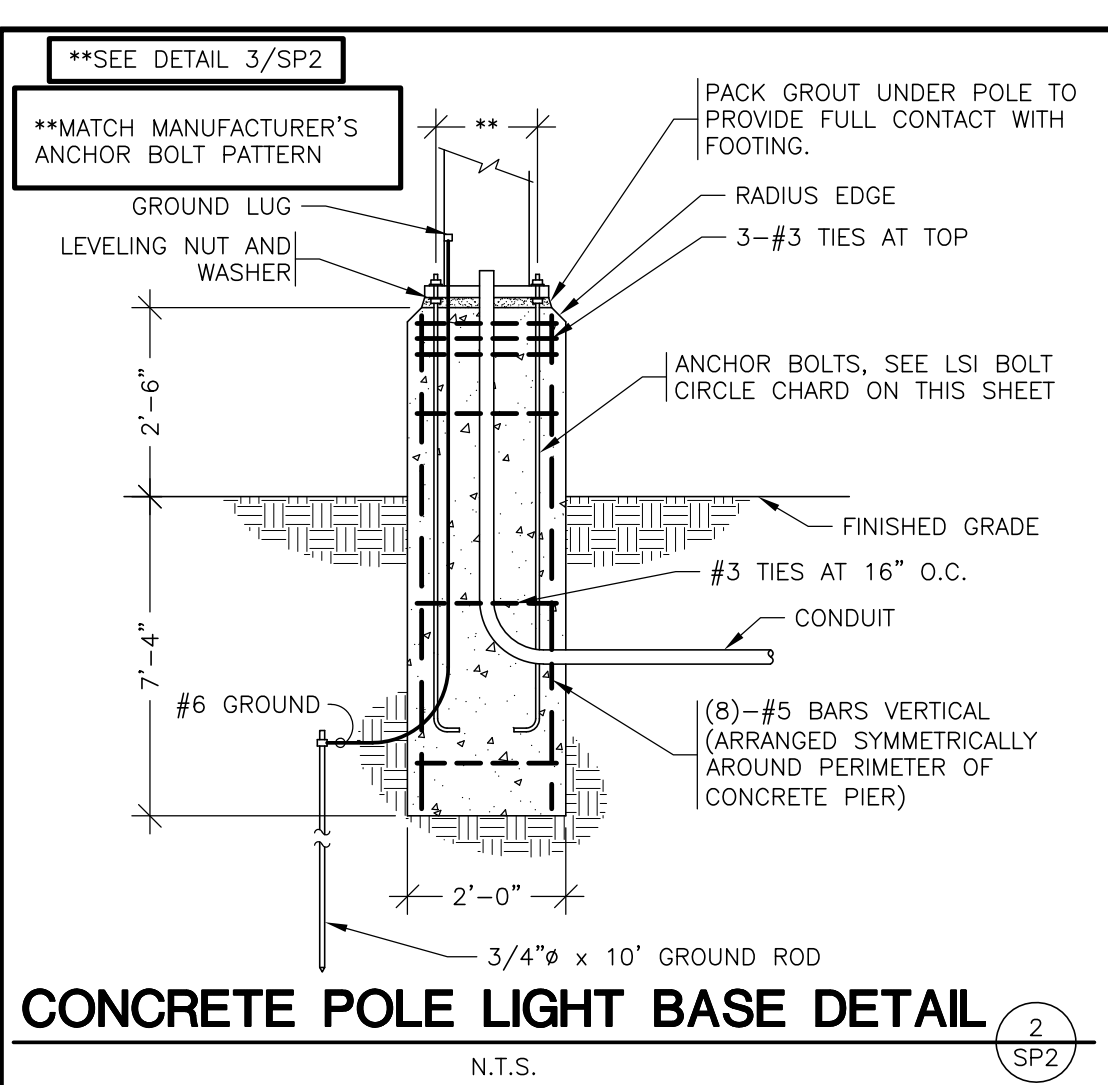
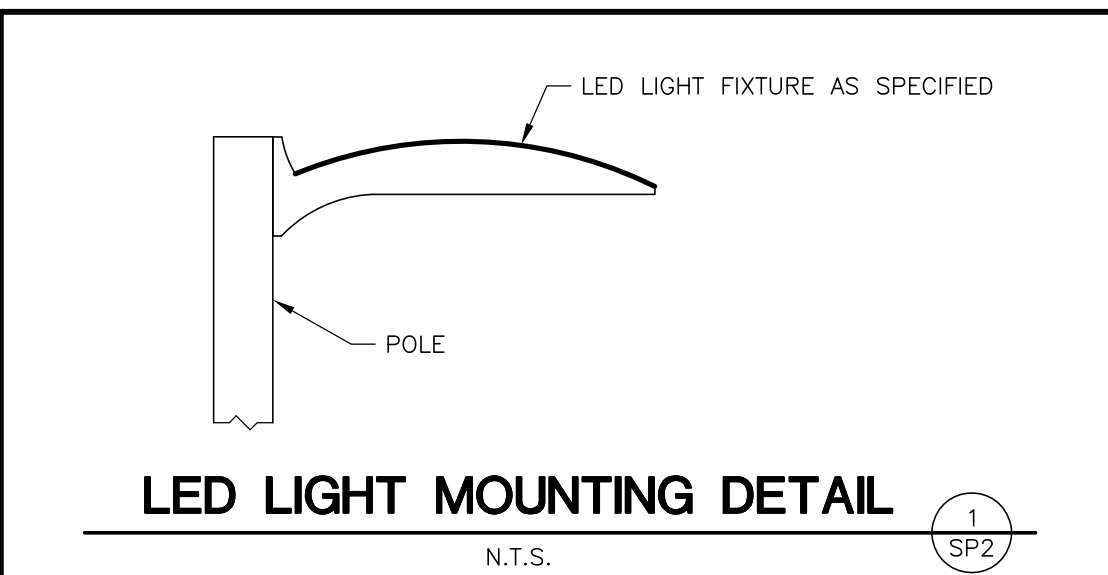
- NOTES:**
 1. Values are the fastest-mile speeds at 33 ft. (10 m) above ground for exposure Category 2.
 2. Linear interpolation between wind speed contours is acceptable.
 3. When using this map to determine EPA readings, always use high end of range.
 4. Fixture and pole EPA values are based on wind pressures and forces specified in ANSI/ASCE 7-10.
 5. Local code may require wind speeds other than those shown on map.

All LSI Industries' poles are guaranteed to meet the EPA requirements listed. Pole manufacturer is not responsible if a pole order has a lower EPA rating than the indicated wind-loading zone where the pole will be located. **CAUTION:** This guarantee does not apply if the pole/bracket/fixture combination is used to support any other items such as flags, pennants, or signs, which would add stress to the pole. LSI Industries cannot accept responsibility for harm or damage caused in these situations.

Project Name _____ Fixture Type _____ 4/26/17
 Catalog # _____ LSI INDUSTRIES INC. © 2017



ANCHOR BOLT DETAIL BASE DIAGRAM
 N.T.S. 3 SP2



CONCRETE POLE LIGHT BASE DETAIL
 N.T.S. 2 SP2

NORMAN E. GOTH
 LICENCE No. 57809
 PROFESSIONAL ENGINEER
 6/15/18
 ENGINEER OF RECORD
NORMAN E. GOTH
 FIRM LICENSE NUMBER: 27905
 ENGINEER LICENSE NUMBER: 57809
 SHEETS BEARING THIS SEAL ARE AUTHENTICATED. RESPONSIBILITY FOR ALL OTHER PLANS, SPECIFICATIONS OR INSTRUMENTS ARE DISCLAIMED.

SGE
 SMITHGOTH ENGINEERS, INC.
 3855 S. JEFFERSON AVE. P.O. BOX 2200
 SPRINGFIELD, MISSOURI 65802
 WWW.SMGOTH.COM

PROJECT:
NEW O'REILLY AUTO PARTS STORE
6179 SW HWY 200
OCALA, FL 34476
SITE LIGHTING DETAILS

O'Reilly AUTO PARTS
 CORPORATE OFFICES
 233 SOUTH PATTERSON
 SPRINGFIELD, MISSOURI 65802
 (417) 862-2674 TELEPHONE

DRAWN BY: **JJW** CHECKED BY: **BLC/ALT**
 DATE: **06/15/2018**
 REVISION:
 PROJECT NUMBER: **18078-OF4**
 SHEET NUMBER: **SP2**

© COPYRIGHT 2018 - DESIGNS, DRAWINGS AND SPECIFICATIONS ARE INSTRUMENTS OF SERVICE AND ARE THE PROPERTY OF THE DESIGN PROFESSIONAL. REPRODUCTION PROHIBITED WITHOUT THE EXPRESSED WRITTEN CONSENT OF THE DESIGN PROFESSIONAL.



Mirada - XALM Outdoor LED Area Light

Performance (Cont.)

All published luminaire photometric testing performed to IESNA LM-79 standards by NVLAP certified laboratory. ISO footcandle plots below demonstrate the Mirada (XALM) light patterns only. Not for total fixture output. For complete specifications and IES files, see website.

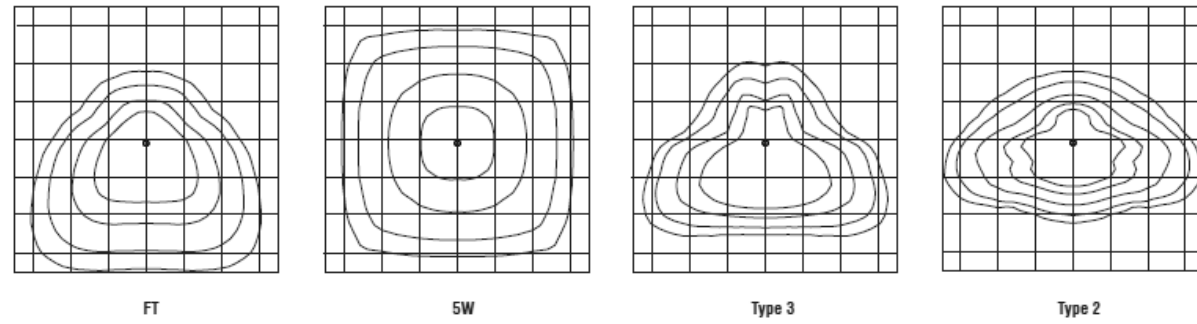


Table with columns: Output, Distribution Type, Delivered Lumens, Efficiency, BUG Rating, Delivered Lumens, Efficiency, BUG Rating, Delivered Lumens, Efficiency, BUG Rating, Voltage. Rows include SS, HO, and VHO series.

*LED chips are frequently updated therefore values may increase.

LSI Industries Inc. 1000 Alliance Rd. Cincinnati, OH 45242 • www.lsi-industries.com • (513) 372-3200 • © LSI Industries Inc. All Rights Reserved



Mirada - XALM Outdoor LED Area Light

Features & Specifications (Cont.)

- Construction
- Rugged die-cast aluminum housing contains factory prewired driver and optical unit. Cast aluminum wiring access door located underneath.
- Designed to mount to round or square poles without need for pole adaptors.
- Luminaire is proudly made in the U.S.
- IP66 rated luminaire protects integral components from harsh environments.
- 3G rated for ANSI C136.31 high vibration applications
- Fixtures are finished with LSI's DuraGrip® polyester powder coat finishing process. The DuraGrip finish withstands extreme weather changes without cracking or peeling. Other standard LSI finishes available. Consult factory.
- Shipping weight: 30 lbs in carton.

- Controls
- Optional integral passive infrared motion and daylight sensor activates switching of luminaire light levels (see page 6 for more details).
- 7-pin ANSI C136.41-2013 photocell receptacle option available for twist lock photocells or wireless control modules.
- LSI's ActiLink™ wireless control system options reduce energy and maintenance costs while optimizing light quality 24/7. (see page 6 for more details)

- Installation
- A single fastener secures the hinged door, underneath the housing and provides quick & easy access to the electrical compartment for installing servicing.
- Included terminal block provides quick and easy on-site wiring.
- Utilizes LSI's traditional 3" drill pattern for easy fastening of LSI products. (See drawing on page 1)

- Warranty
- LSI LED Fixtures carry a 5-year warranty.

- Listings
- Listed to UL 1598 and UL 8750.
- RoHS Compliant.
- State of California Title 24.
- DesignLights Consortium® (DLC) qualified product. Not all versions of this product may be DLC qualified. Please check the DLC Qualified Products List at www.designlights.org/QPL to confirm which versions are qualified.
- American Recovery and Reinvestment Act Funding Compliant.
- Lighting Facts Approved.
- Suitable For wet Locations.
- IP66 rated Luminaire. IP66-rated optical chamber.
- 3G rated for ANSI C136.31 high vibration applications

Performance

Table with columns: Lumen, 120V, 200V, 240V, 277V, 347V, 480V, Watts. Rows include SS, HO, VHO.

Table with columns: Ambient, luminaire, 25 sq ft, 50 sq ft, 75 sq ft, 100 sq ft. Rows include 0 C, 10 C, 20 C, 25 C.

- 1. Luminaire maintenance factor of 0.75 is calculated per TM-21 based on LM-60 data and includes testing
2. In accordance with IESNA TM-21-11, Photometric Safety: Photometric data based on 100% operating conditions unless otherwise noted.
3. In accordance with IESNA TM-21-11, Consensus: Visual response test conditions that were used to derive the IESNA LM-60-04 test condition for the device under testing.

Table with columns: Luminaire EPA Chart - XALM, Single, 0.5, 0.9, 1.1, 1.3, 1.5, 2.1.

LSI Industries Inc. 1000 Alliance Rd. Cincinnati, OH 45242 • www.lsi-industries.com • (513) 372-3200 • © LSI Industries Inc. All Rights Reserved



Mirada - XALM Outdoor LED Area Light



The Mirada's sleek design makes it perfectly-suited for architectural applications, while its cost-effective die-cast aluminum housing makes its acquisition cost very competitive. The Mirada offers high performance silicone optics, die cast aluminum housing, 35,000+ lumens and is available with integral wireless controls.

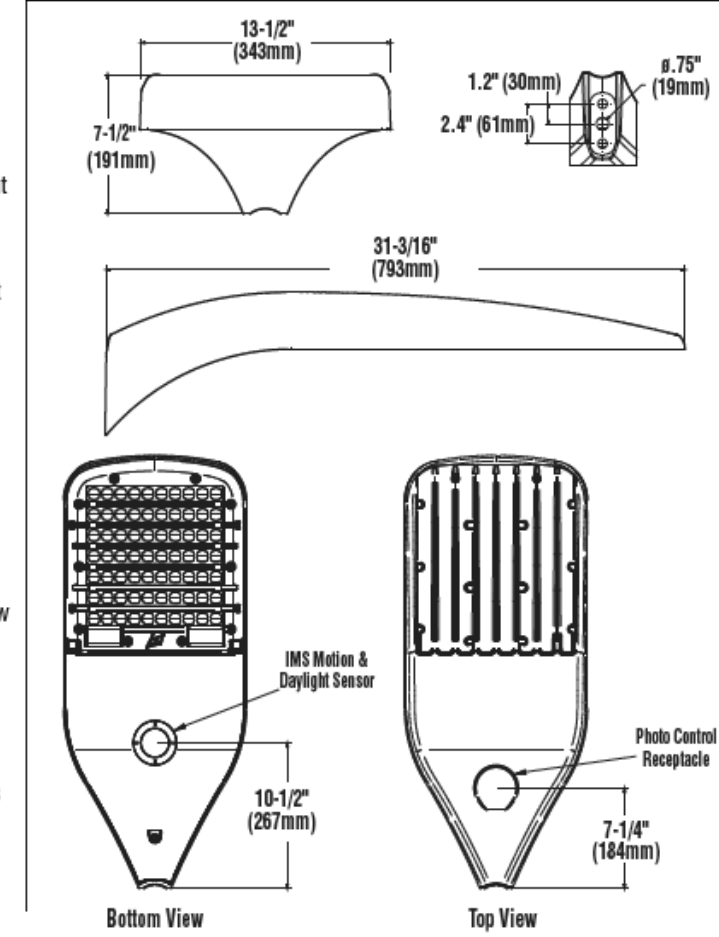
Features & Specifications

- Optical System
- State-of-the-Art one piece silicone optical sheet delivers industry leading optical control with an integrated gasket to provide IP66 rated sealed optical chamber in 1 component.
- Proprietary silicone refractor optics provide exceptional coverage and uniformity in IES Types 2, 3, 5W and FT.
- Silicone optical material does not yellow or crack with age and provides a minimum light transmittance of 95%.
- Zero uplight.
- Available in 5000K, 4000K, and 3000K (+/- 275K) color temperatures.
- Minimum CRI of 70, 90CRI available, consult factory for lead time.
- Integral Lower (L) option available for improved back-light control without sacrificing street side performance. See page 5 for more details.

- Electrical
- High-performance driver features over-voltage, under-voltage, short-circuit and over temperature protection.
- 0-10V dimming (10% - 100%) standard.
- Standard Universal Voltage (120-277 Vac) Input 50/60 Hz or optional High Voltage (347-480VAC).
- L70 Calculated Life >100K Hours (See Lumen Maintenance on Page 2)
- Total harmonic distortion <20%.
- Operating temperature: -40°C to +50°C (-40°F to +122°F)
- Power factor > .90
- Input power stays constant over life.
- Field replaceable surge protection device meets a minimum Category C Low operation (per ANSI/IEEE C62.42).
- High-efficiency LEDs mounted to metal-core circuit board to maximize heat dissipation.
- Terminal block provided accepts up to 10ga wire.
- Components are fully encased in potting material for moisture resistance. Driver complies with FCC standards. Driver and key electronic components can easily be accessed.



Product Dimensions



LSI Industries Inc. 1000 Alliance Rd. Cincinnati, OH 45242 • www.lsi-industries.com • (513) 372-3200 • © LSI Industries Inc. All Rights Reserved

MIRADA WALL SCONCE (XWM)

LUMINAIRE ORDERING INFORMATION

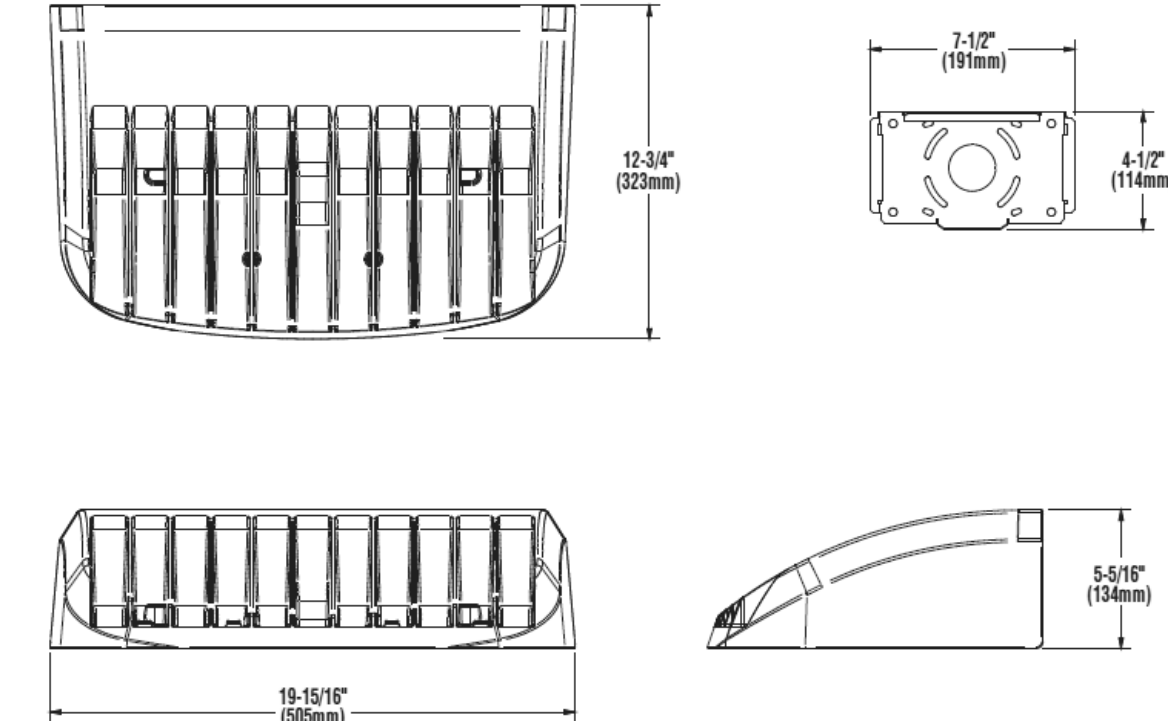
TYPICAL ORDER EXAMPLE: XWM FT LED 08L 50 UE WHT IMS

Table with columns: Profile, Distribution, Light Source, Output, Color Temperature, Input Voltage, Finish, Optional Controls, Optional Sensor/Options.

Table with columns: Description, Order Number, Description, Order Number.

- FOOTNOTES:
1 - For wireless controls information and accessories, see Controls Section.
2 - Requires a Site Manager and override switch. Not compatible with battery back-up.
3 - Not compatible with IMS Option.
4 - Not compatible with DIM or Wireless Control System.
5 - Not compatible with Wireless Control System.
6 - Not available with IMS, DIM, BLS Option or Wireless Control System.
7 - IMS is the Multi-Stepper Dual Sensor (Daylight & Motion) which is field adjustable, via a handheld sensor configuration tool.
8 - Output based on type 3 optics in cool white color temperature, see IES files for exact delivered lumens.

DIMENSIONS



Project Name _____ Fixture Type _____ 10/20/17
Catalog # _____ LSI INDUSTRIES INC.

MIRADA WALL SCONCE (XWM)

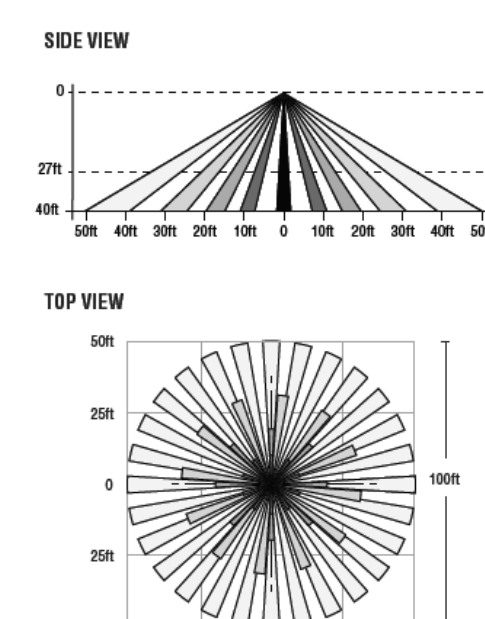


DGE LIGHTING FACTS
Department of Energy has verified representative product test data and results in accordance with its Lighting Facts Program. Visit www.lightingfacts.com for specific catalog listings.

Table with columns: Lumens, Voltage, LPW. Rows include 03, 04, 06, 08.

LED chips are frequently updated therefore values may increase.

COVERGE DIAGRAM



Project Name _____ Fixture Type _____ 10/20/17
Catalog # _____ LSI INDUSTRIES INC.

US & INTL. patent pending
SMARTICE™ - LSI drivers feature integral sensor which reduces drive current, when ambient temperatures exceed rated temperature.
ENERGY SAVING CONTROL OPTIONS - DIM - 0-10 volt dimming enabled with LSI wireless controls.

OPTIONAL INTEGRAL MOTION SENSOR - Passive infrared motion sensor activates switching of luminaire light levels. High level light is activated when passively enter target zone and increased to full bright in 1-2 seconds. Low light level (30% of maximum drive current) is activated when target zone is absent of motion activity for 5 minutes and is gradually ramped down (10 seconds) to low level. Sensor detection range 110° horizontal x 93° vertical x 10 meters maximum distance.

LEDS - Available with 5000K, 4000K or 3000K color temperature, 70 CRI min.
OPTICS/DISTRIBUTIONS - Ultra-high efficiency reflectors provide three distributions. Choose from Type 2, Type 3 or Type FT.

HOUSING - Three-piece die-cast aluminum housing is smoothly contoured low-profile shape. Mounting hardware is stainless steel or electro-zinc plated steel. Housing and optical unit are sealed with extruded silicone gasket; supply conductors with molded EPDM bushing.

OPTICAL UNIT - Proprietary silicone refractor optics provide exceptional coverage and uniformity. Pressure stabilizing weather allows super-light protection while preventing cycling from building up internal pressure and vapors that can stress optical unit seals.

WALL MOUNTING - Galvanized-steel universal wall mounting plate easily mounts directly to 4\"/>

ELECTRICAL - Two-stage surge protection (including separate surge protection built into electronic driver) meets IEEE C62.41.2-2002, Location Category C. Available with universal voltage power supply 120-277VAC (50/60Hz input) or 347-480VAC.

DRIVER - Drivers are dimming, standard. Components are fully encased in potting material for IP65 moisture resistance. Driver complies with IEC and FCC standards. Driver can be easily accessed.

EMERGENCY OPTIONS - Optional integral emergency battery-back-up options are available. BB option operates in 0°C to 60°C ambient temperature and CWBB operates in -20°C to 60°C ambient temperature. When primary AC power failure occurs, both options operate 10 LEDs for minimum of 90 minutes.

OPERATING TEMPERATURE - -40°C to +50°C (-40°F to +122°F)
FINISH - Fixtures are finished with LSI's DuraGrip® polyester powder coat finishing process. The DuraGrip finish withstands extreme weather changes without cracking or peeling.

WARRANTY - LSI LED fixtures carry a limited 5-year warranty.

PHOTOMETRICS - Please visit our website at www.lsi-industries.com for detailed photometric data.

SHIPPING WEIGHT (in carton) - 30 lbs./13.6kg
LISTING - UL listed to ANSI/UL1598, UL8750 and other U.S. and international safety standards. Suitable for wet locations in downlight position.

This product, or selected versions of this product, meet the standards listed below. Please consult factory for more specific requirements.



Mirada - XALM Outdoor LED Area Light

Ordering Guide

TYPICAL ORDER EXAMPLE: XALM FT LED HO 40 UE BRZ ALS

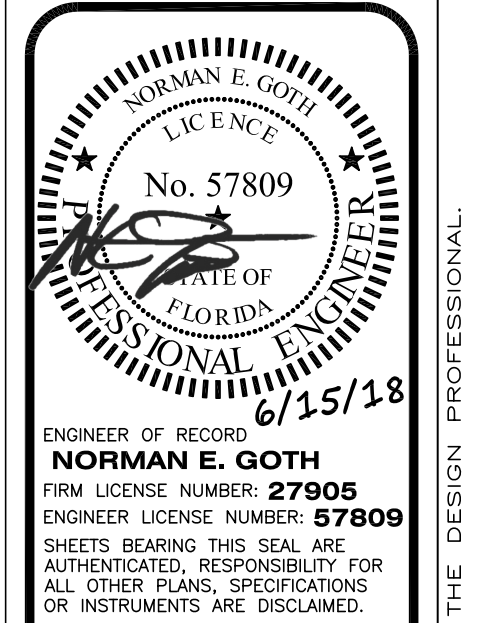
Table with columns: Luminaire Profile, Distribution, Light Source, Lumen Package, Color Temp, Voltage, Finish, Optional Controls, Options.

Accessory Ordering Information

Table with columns: Description, Order Number, Description, Order Number.

- FOOTNOTES:
1 - For wireless controls information and accessories, see Controls Section.
2 - Requires a Site Manager and override switch. Not compatible with IMS or BLS Option.
3 - Not compatible with IMS.
4 - Not compatible with DIM, BLS or Wireless Control System.
5 - IMS is a Wall Stepper Dual Sensor (Daylight & Motion) which is field adjustable, via a handheld remote configuration tool, which must be ordered separately.
6 - Photocell must be ordered separately. 7 pin standard. See Accessories.
7 - Not available with IMS Option or Wireless Control System.
8 - Factory installed PCR option required. See Options.
9 - Fixing must be located in hand hole of pole.
10 - To be used in conjunction with PCAMGOM control modules in future. Consult factory.
11 - Consult factory.
12 - Consult factory for DLC qualification information and lead times.

LSI Industries Inc. 1000 Alliance Rd. Cincinnati, OH 45242 • www.lsi-industries.com • (513) 372-3200 • © LSI Industries Inc. All Rights Reserved



PROJECT: NEW O'REILLY AUTO PARTS STORE
6179 SW HWY 200
OCALA, FL 34476
SITE LIGHTING DETAILS



DRAWN BY: JWW CHECKED BY: BLC/ALT

DATE: 06/15/2018

REVISION:

PROJECT NUMBER: 18078-0F4

SHEET NUMBER



COPYRIGHT 2018 - DESIGNS, DRAWINGS AND SPECIFICATIONS ARE INSTRUMENTS OF SERVICE AND ARE THE PROPERTY OF THE DESIGN PROFESSIONAL. REPRODUCTION PROHIBITED WITHOUT THE EXPRESSED WRITTEN CONSENT OF THE DESIGN PROFESSIONAL.